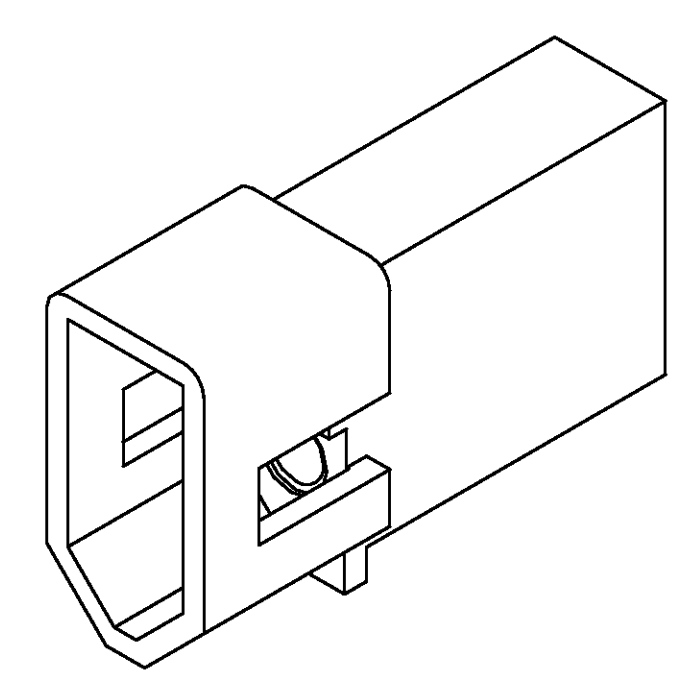
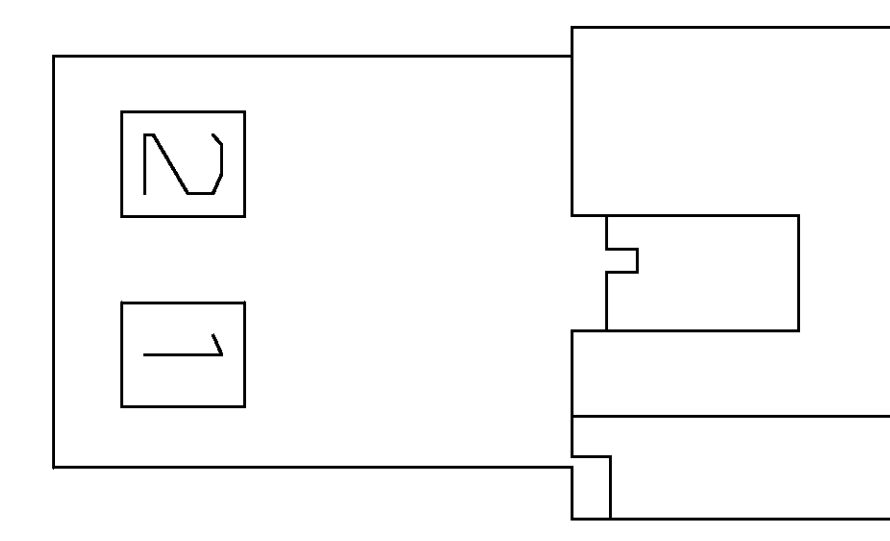
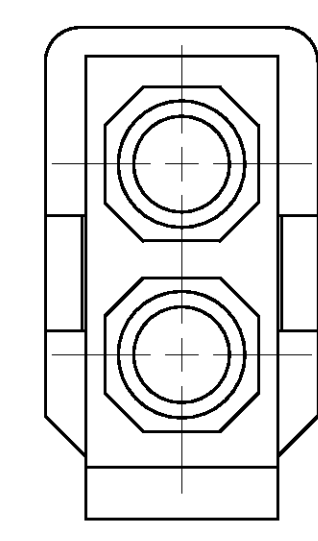
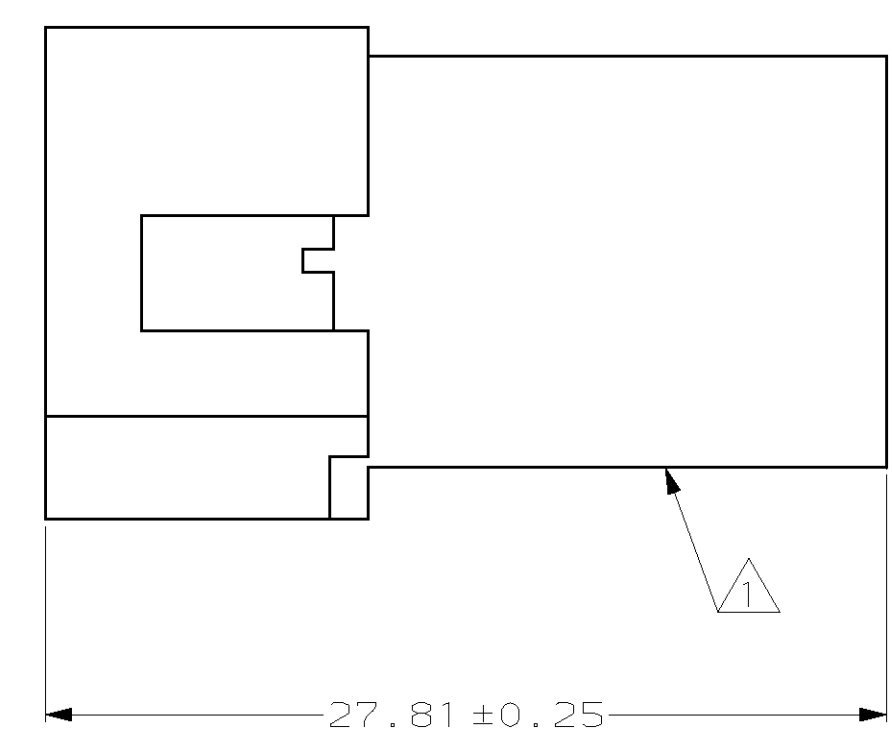
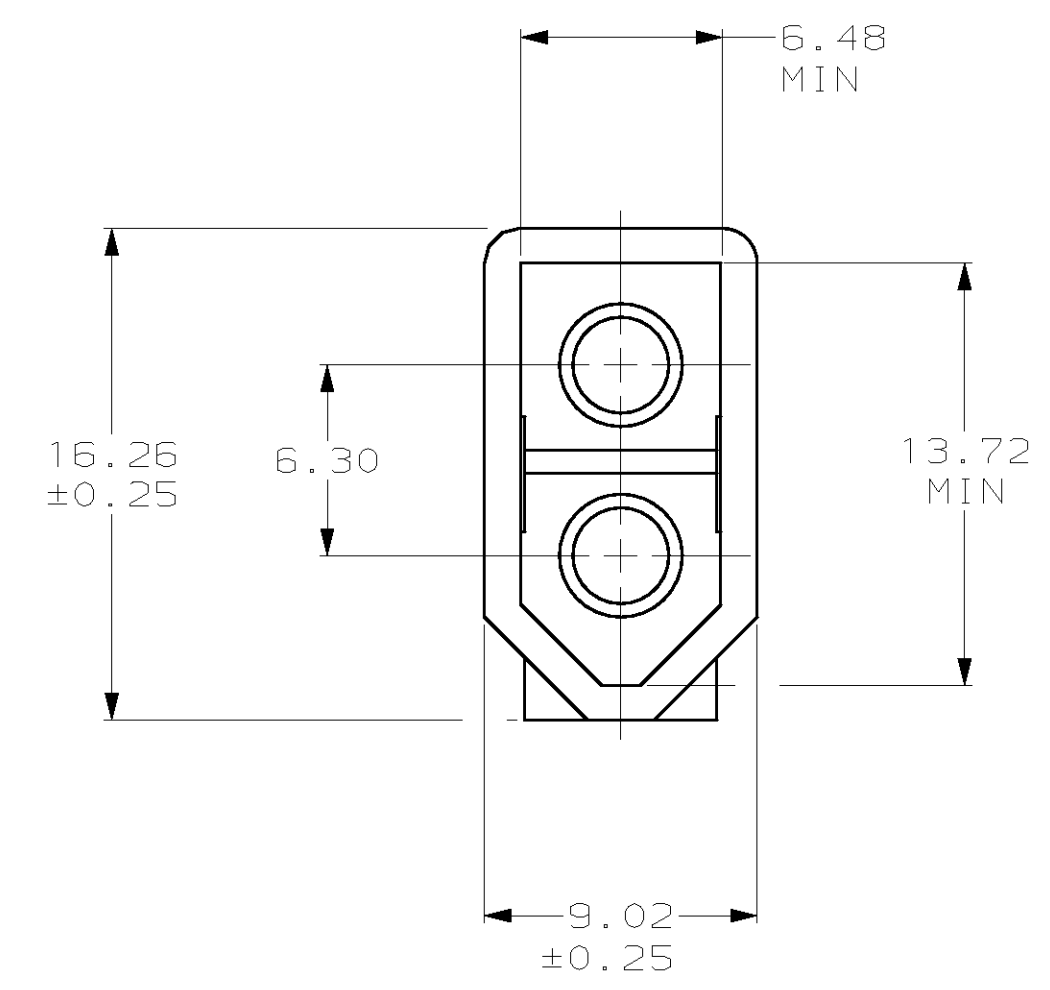


△ MARKING FOR UL AND CSA LOGOS LOCATED ON THIS SURFACE.



3-DIMENSIONAL MODEL NTS

27.81	1.095
16.26	.640
13.72	.540
9.02	.355
6.48	.255
6.30	.248
2.36	.093
0.25	.010
0.13	.005
MM	IN

CONVERSION TABLE

METRIC

770069-1
PART NUMBER

THIS DRAWING IS A CONTROLLED DOCUMENT.		OWN K. WHITAKER	2-24-98	AMP AMP Incorporated Harrisburg, PA 17105-3608
		CHK R. SWING	2-24-98	
DIMENSIONS:		APVD K. CORLE	2-24-98	DATE
TOLERANCES UNLESS OTHERWISE SPECIFIED:		PRODUCT SPEC		PLUG, 2 CIRCUIT, .093 PIN AND SOCKET
1. PLC ±-		APPLICATION SPEC		SIZE SCALE CODE DRAWING NO
2. PLC ±-		HEIGHT		A1 00779 C 770069
3. PLC ±0.13		CUSTOMER DRAWING		RESTRICTED TO
4. PLC ±-		SCALE 4:1		SHEET 1 OF 1
5. PLC ±-		REV M		